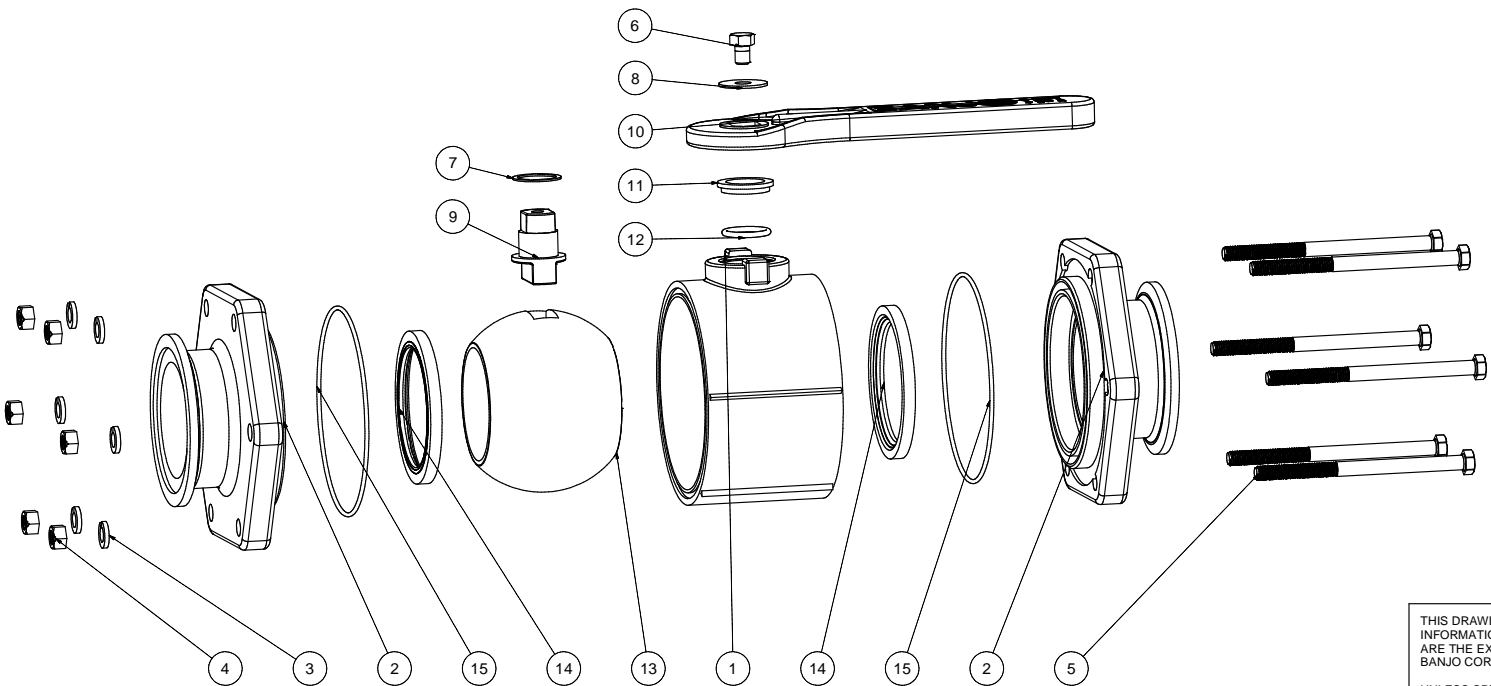


Parts List			
ITEM	QTY	PART NUMBER	DESCRIPTION
1	1	V35254A	3" FP VALVE BODY
2	2	V35278A	3" FP MANIFOLD END PLATE
3	6	V20018	3/8" LOCKWASHER
4	6	V20019	3/8" HEX NUT
5	6	V25018	3/8-16 X 5 1/2" HHCS
6	1	V25020	3/8" Handle Bolt
7	1	V25060	VALVE STEM THRUST BEARING
8	1	V25121	3/8" Fender Washer
9	1	V25151B	2" FP Stem
10	1	V25153	2" FP Handle
11	1	V25160	Stem Bushing
12	1	V25163	#214 FKM O'RING
13	1	V35255A	3" Full Port Ball
14	2	V35258A	3" FP Ball Seat
15	2	V35265	3" FP body O-ring FKM



THIS DRAWING AND ALL INFORMATION CONTAINED THEREON ARE THE EXCLUSIVE PROPERTY OF BANJO CORPORATION.

UNLESS SPECIFICALLY NOTED, THIS DRAWING AND ITEMS SHOWN ON THIS DRAWING ARE SUBJECT TO CHANGE AT ANY TIME.



BANJO CORPORATION

BANJO CORPORATION
150 BANJO DRIVE, CRAWFORDSVILLE, IN 47933
WEB SITE: WWW.BANJOCORP.COM
E-MAIL: BANJOSALES@IDEXCORP.COM

DESCRIPTION	3" FP VALVE W/ SHORT BODY & END PLATE
PART NUMBER	MV301CF